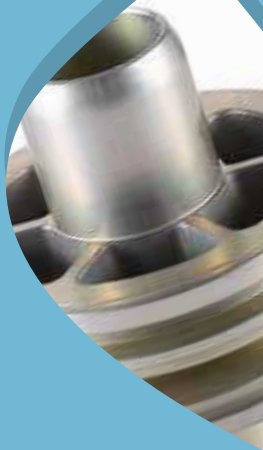
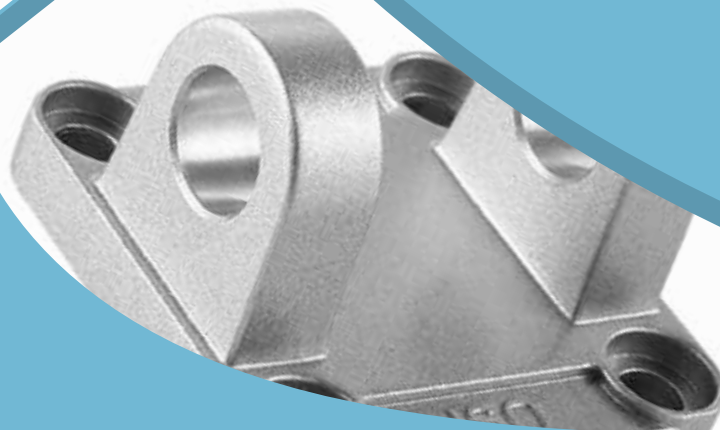
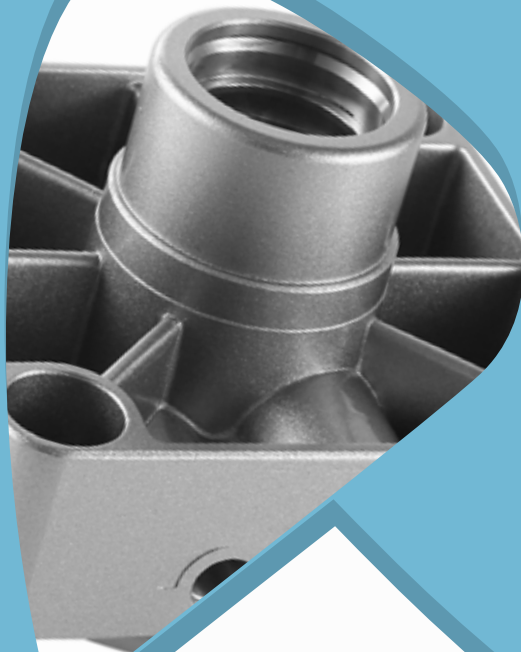


气缸端盖 & 附件

PNEUMATIC CYLINDER MOUNTING PARTS



ABOUT US

If you take a look at our logo, you will find that it is composed of two abstract shapes interacting with each other. It means cooperation as well as two strength: Manufacture and Innovation.

Just like the meaning of our logo, we hope we can better cooperate with our customers and can step into a better platform together.

We are a leading manufacturer of die casting, especially in the field of pneumatic and automotive. Above 90% of the production procedures are done by ourselves, which makes us different from the other suppliers. With more than 18 years of OEM experiences, we play a leading role in this area. Our production capacity, comprehensive services as well as abundant experience enable us to be your best choice.

Corporate Data

Founded: 2017

Registered Capital: 60M RMB

Annual Sales: 1.3B-1.5BRMB

No.Employees: 250-300 People

Location: Pinghu Zhejiang

We are Shanghai Bangye Pneumatic And Hydraulic Components Co.,Ltd which has established since 2002. Our company moved from Shanghai to Pinghu in December 2020.



关于我们

如果你看我们的标志，你会发现它是由两个相互环绕的形状组成的。它的意思是制造与创新相互配合。

正如 BANGYE 商标所示，我们希望能与我们的客户进行更好的沟通与合作，让我们在共同的行业中走向辉煌。



我们是压铸行业领先的制造商，特别是在气动和汽车配件领域。其中超过 90% 以上的生产工艺均是由我们自己完成的，这是与其他供应商不同的地方。

我们有超过 18 年的 OEM 经验，使我们在代工领域起着重要作用。

我们的生产能力，综合服务以及丰富的经验使我们成为您的最佳选择。

公司信息

成立日期：2017 年

注册资金：6000 万元

年销售额：1.3 亿元 -1.5 亿元

公司职员：250 人 -300 人

公司地址：浙江平湖

公司于 2020 年 12 月从上海搬迁至嘉兴平湖。原公司为上海邦业气动液压件有限公司，成立于 2002 年。



PRODUCTS CATALOGUE

产品目录

ISO15552 Series Covers and Accessories DNG 和 DNC 系列端盖与附件 [P 1-11](#)

ISO21287 Series Covers and Accessories ADN 系列端盖与附件 [P 13-15](#)

ISO6430 Series Covers and Accessories SC 系列端盖与附件 [P 17-25](#)

JIS Series Covers and Accessories MB 和 CA2 系列端盖与附件 [P 27-33](#)

ISO6432 Series Covers and Accessories MI 和 MIC 系列端盖与附件 [P 35-38](#)

MAL Series Covers and Accessories MAL 列端盖与附件 [P 39-41](#)

Rod End Accessories 活塞杆端附件 [P 43-45](#)



CYLINDER COVERS MOUNTING PARTS

PART

1

ISO15552 Series

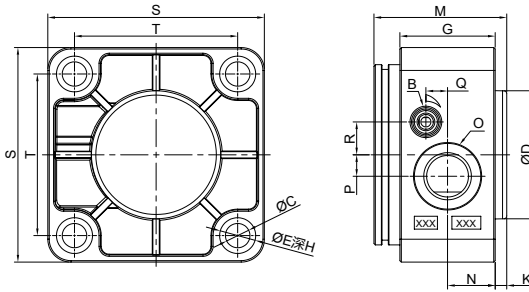
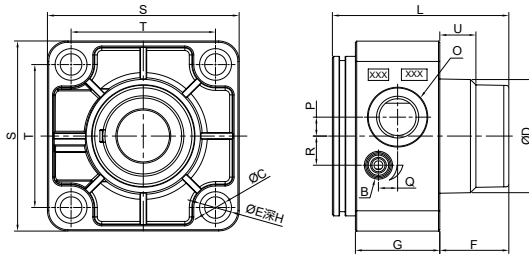
主要
产品

气缸端盖
气缸附件

DNG 32-100 Cylinder Cover

气缸端盖

ISO 15552 Series



Material: ADC12 Die Casting

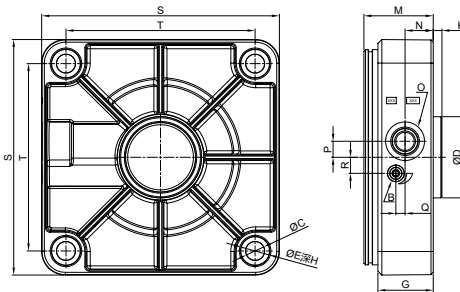
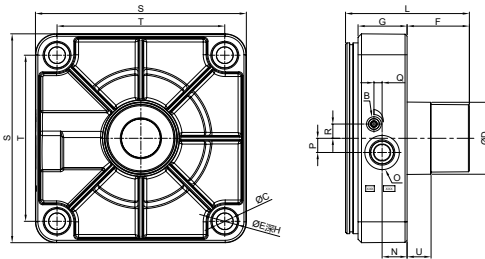
材质: ADC12 铝压铸

Φ[MM]	S	T	C	E	H	L	N	F	P	R	O	Q	ØD	M	G	B	U	K
32	47	32.5	6.5	9.5	22.5	52	13	19	5.5	6	G 1/8	6.5	30	36	27	M6*0.75	9.5	3
40	53	38	6.5	9.5	22.5	58.5	15.5	21	6	8.5	G 1/4	7.5	35	40.5	31	M6*0.75	11	3.5
50	65	46.5	8.5	12.5	22.5	66.5	15.5	27	7.5	8.5	G 1/4	6.5	40	43	31	M6*0.75	11	3.5
63	75	56.5	8.5	12.5	23	69	16.5	27	7.5	11.5	G 3/8	7.5	45	46	33	M6*0.75	14	4
80	95	72	10.5	15.5	26	81.5	18	33	9	13.5	G 3/8	7.5	45	52.5	36	M6*0.75	16	4
100	115	89	10.5	15.5	26	85	18.5	36	9.5	13.5	G 1/2	8.5	55	53	37	M6*0.75	18.5	4

DNG 125-320 Cylinder Cover

气缸端盖

Website: www.bangye-auto.com

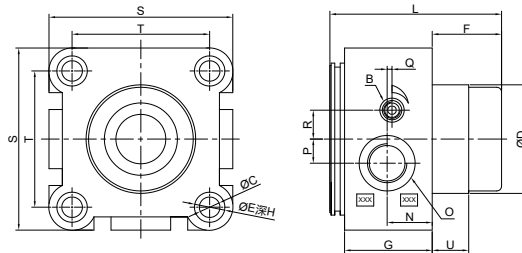


Material: ADC12 Die Casting

材质: ADC12 铝压铸

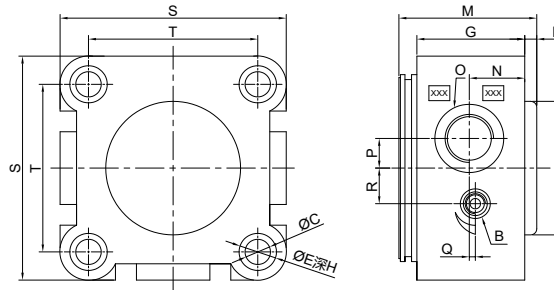
Φ[MM]	S	T	C	E	H	L	N	F	P	R	O	Q	ØD	M	G	B	U	K
125	140	110.5	12.3	22.5	32.5	100.5	26.5	40	10	20	G 1/2	5	60	66.5	45.2	M10*1	10	6
160	180	140	16.5	26	36	120	25.5	55	15	15	G 3/4	7	65	71	50	M10*1	10	6
200	220	175	16.5	26	36	128	25.5	65	15	15	G 3/4	8.5	75	71	50	M10*1	25	8
250	270	220	20.5	32.5	40	150	30	75	25	25	G 1	10	90	83	60	M14*1.5	25	8
320	350	270	24.5	37	45	170	30	90	35	35	G 1	15	110	90	65	M14*1.5	25	10

DNC 32-125 Cylinder Cover 气缸端盖



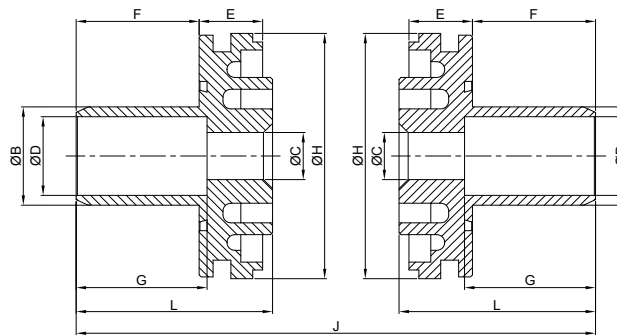
Material: ADC12 Die Casting

材质: ADC12 铝压铸



Φ[MM]	S	T	C	E	H	L	U	N	F	P	R	O	Q	ØD	M	G	B	K
32	45.5	32.5	6.5	9.5	22.5	51	10	12.5	18	5.5	7.2	G 1/8	5.5	30	37	25.1	M6*0.75	4
40	51.5	38	6.5	9.5	22.5	59	10.5	14.5	22	6	7.5	G 1/4	6.5	35	41.5	29.6	M6*0.75	4
50	64.5	46.5	8.5	12.5	22.5	67.5	11.5	14.5	28	8.5	8.5	G 1/4	4.5	40	43.5	29.6	M6*0.75	4
63	75.5	56.5	8.5	12.5	23	70.5	15	18.5	28.5	10	12	G 3/8	2	45	46	35.6	M6*0.75	4
80	93.5	72	10.5	15.5	26	83.2	15.7	18	34.7	12.7	8	G 3/8	1	45	52.5	35.9	M6*0.75	4
100	111.5	89	10.5	15.5	26	87.2	19.2	20	38.2	11.8	10	G 1/2	4	55	53	38.8	M6*0.75	4
125	134.5	110	12.5	19	31	106	22.5	18	46	8	13	G 1/2	14	60	66	45	M10*1	6

DNG/DNC 32-100 Cylinder Piston 气缸活塞

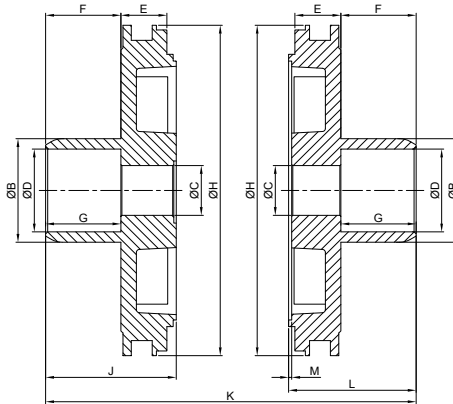


Material: ADC12 Die Casting

材质: ADC12 铝压铸

Φ[MM]	ØB	ØC	ØD	E	F	G	J	L	ØH
32	16	8	12	11.5	25	29	78	39	31.5
40	20	10	16	12.5	26	28	82	41	39
50	25	12	20	10.9	30.5	30.5	88	44	49
63	25	12	20	16	31	33	99	49.5	62.4
80	30	16	25	15.5	40	40	111	55.5	79
100	30	16	25	17.5	41	41	122	61	99

DNG/DNC 125-200 Cylinder Piston 气缸活塞

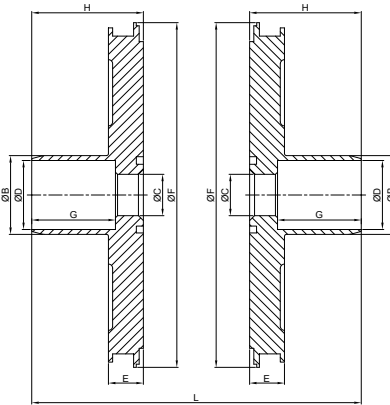


Material: ADC12 Die Casting

材质: ADC12 铝压铸

Φ[MM]	ØB	ØC	ØD	E	F	G	ØH	J	K	L	M
125	40	16	32	16.5	35	39	124.5	56.5	109	54.5	2
160	50	24	40	22	36	36	159.5	62.5	122	61	1.5
200	50	24	40	24	55	55	199	83.5	164	82	1.5

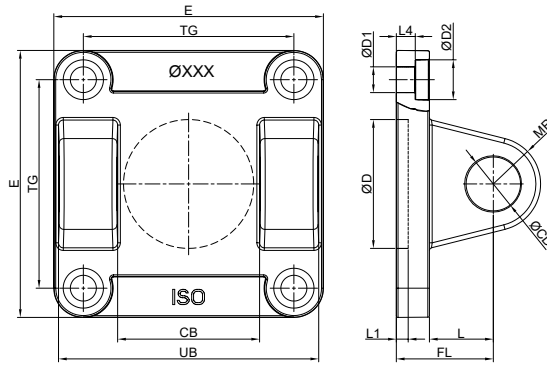
DNG/DNC 250-320 Cylinder Piston 气缸活塞



Material: ADC12 Die Casting

材质: ADC12 铝压铸

Φ[MM]	ØB	ØC	ØD	E	ØF	G	H	L
250	57	30	50	25	249.5	60	80	160
320	78	36	63	30	319.5	60	90	180

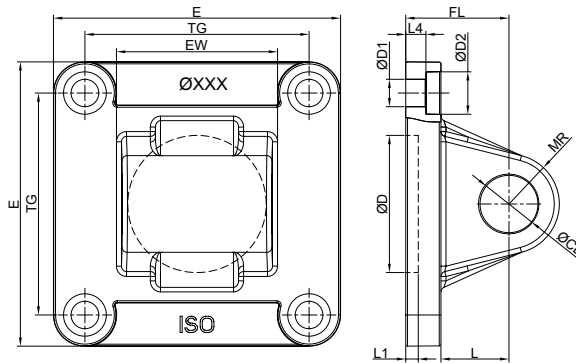
DNG 32-100 CB Female Clevis
双耳座


Material: ADC12 Die Casting

材质: ADC12 铝压铸

With 2 bushes 装含油轴承

Φ[MM]	E	TG	CB	UB	FL	L	φD1	L4	φD2	φD	MR	φCD	L1
32	47	32.5	26	46.5	22	12.5	6.5	5.5	11	30	10	10	5
40	53	38	28	52	25	16	6.5	5.5	11	35	12	12	5
50	65	46.5	32	60	27	16	9	6.5	15	40	12	12	5
63	75	56.5	40	70	32	21	9	6.5	15	45	16	16	5
80	95	72	50	90	36	22	11	10	17	45	16	16	5
100	115	89	60	110	41	27	11	10	17	55	20	20	5

DNG 32-100 CA Male Clevis
单耳座


Material: ADC12 Die Casting

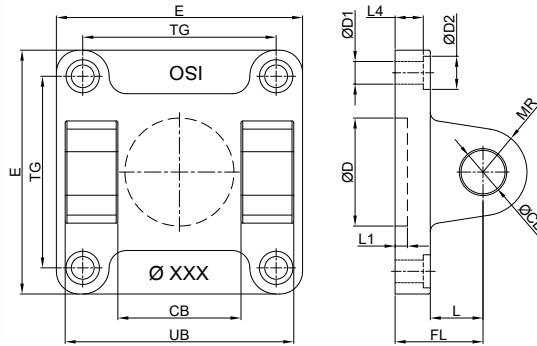
材质: ADC12 铝压铸

With 2 bushes 装含油轴承

Φ[MM]	E	TG	EW	FL	L	L4	ØD1	ØD2	MR	ØCD	L1	ØD
32	47	32.5	26	22	12.5	5.5	6.5	11	10	10	5	30
40	53	38	28	25	16	5.5	6.5	11	12	12	5	35
50	65	46.5	32	27	16	6.5	9	14	12	12	5	40
63	75	56.5	40	32	21	6.5	9	14	15.5	16	5	45
80	95	72	50	36	22	10	11	17	16	16	5	45
100	115	89	60	41	27	10	11	17	20	20	5	55

DNG 125-200 CB Female Clevis

双耳座



Material: ADC12 Die Casting

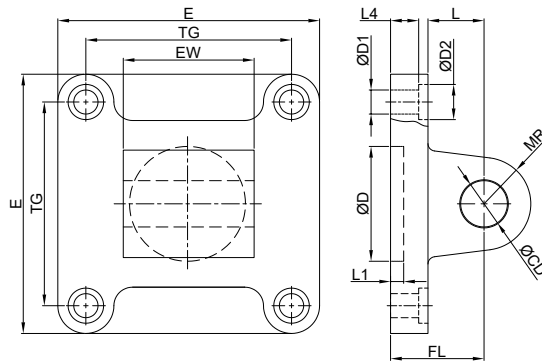
材质: ADC12 铝压铸

With 2 bushes 装含油轴承

Φ[MM]	TG	E	CB	UB	L4	L	ØD1	ØD2	ØD	ØCD	L1	FL	MR
125	110	140	70	130	10	30	14	20	60	25	7	50	25
160	140	180	90	169	10	35	18	26	65	30	8	55	25
200	175	220	90	169	11	35	18	26	75	30	10	60	25

DNG 125-200 CA Male Clevis

单耳座



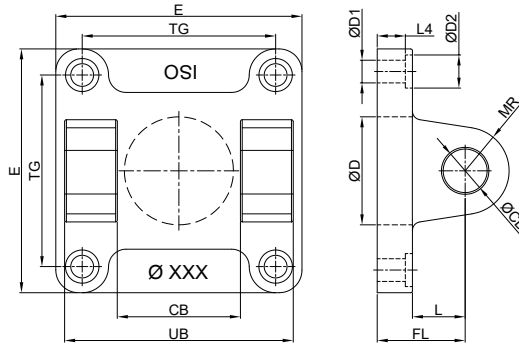
Material: ADC12 Die Casting

材质: ADC12 铝压铸

With 2 bushes 装含油轴承

Φ[MM]	TG	E	EW	L4	L	ØD1	ØD2	ØD	ØCD	FL	L1	MR
125	110	140	70	10	30	14	20	60	25	50	7	25
160	140	180	90	10	35	18	26	65	30	55	8	25
200	175	220	90	11	35	18	26	75	30	60	10	25

DNG 250-320 CB Female Clevis 双耳座



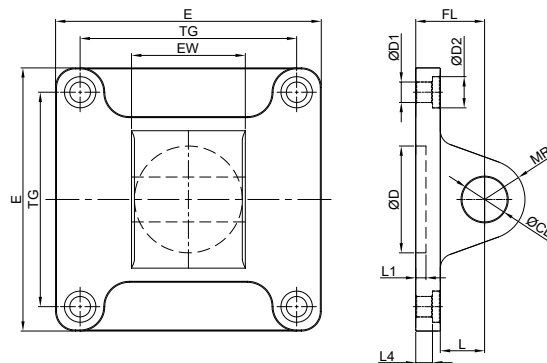
Material: A356 Alu Low pressure Casting

材质: A356 低压铸造

With 2 bushes 装含油轴承

Φ[MM]	TG	E	CB	UB	L	L4	ØD1	ØD2	ØD	ØCD	FL	MR
250	220	270	110	200	45	17	21	32	90	40	70	41
320	270	350	120	220	50	22	25	37	110	45	80	46

DNG 250-320 CA Male Clevis 单耳座



Material: A356 Alu Low pressure Casting

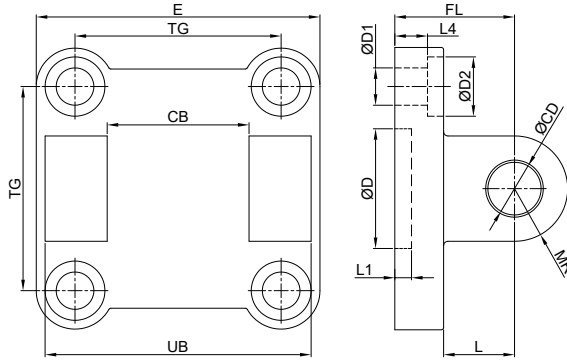
材质: A356 低压铸造

With 2 bushes 装含油轴承

Φ[MM]	TG	E	EW	L	L4	ØD1	ØD2	ØD	ØCD	FL	L1	MR
250	220	270	110	45	17	21	32	90	40	70	11	41
320	270	350	120	50	22	25	37	110	45	80	11	45

DNC 32-100 CB Female Clevis

双耳座



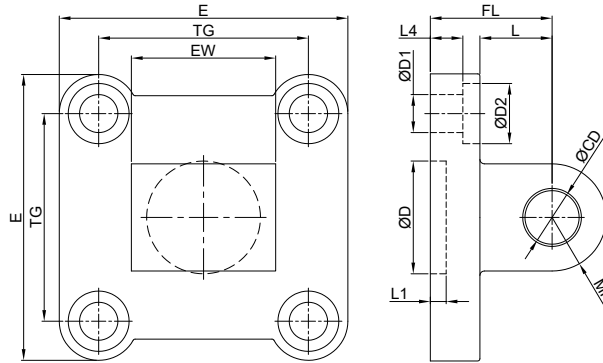
Material: ADC12 Die Casting

材质: ADC12 铝压铸

Φ[MM]	CB	UB	TG	E	L	ØD1	ØD2	L4	ØD	ØCD	L1	MR	FL
32	26	45	32.5	45	13	6.5	10.5	6	30	10	5	10	22
40	28	52	38	54	14	6.5	10.5	6	35	12	5	12	25
50	32	60	46.5	64	16	8.5	13.5	8	40	12	5	12	27
63	40	70	56.5	75	21	8.5	13.5	8	45	16	5	16	32
80	50	90	72	93	22	10.5	16.5	11	45	16	5	16	36
100	60	110	89	111.5	27	10.5	16.5	11	55	20	5	20	41

DNC 32-100 CA Male Clevis

单耳座

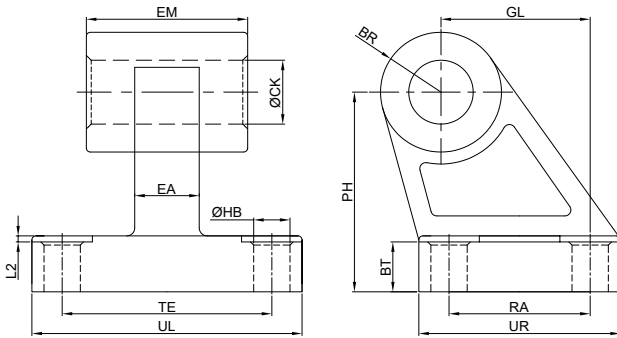


Material: ADC12 Die Casting

材质: ADC12 铝压铸

Φ[MM]	E	TG	EW	L	ØD1	ØD2	L4	FL	ØD	ØCD	L1	MR
32	45	32.5	26	13	6.5	10.5	6	22	30	10	5	10
40	51.3	38	28	14	6.5	10.5	6	25	35	12	5	12
50	64	46.5	32	16	8.5	13.5	8	27	40	12	5	12
63	75	56.5	40	21	8.5	13.5	8	32	45	16	5	16
80	93	72	50	22	10.5	16.5	11	36	45	16	5	16
100	111.5	89	60	27	10.5	16.5	11	41	55	20	5	20

LNG 32-200 Square Hinge 直角耳座



Material: ADC12 Die Casting

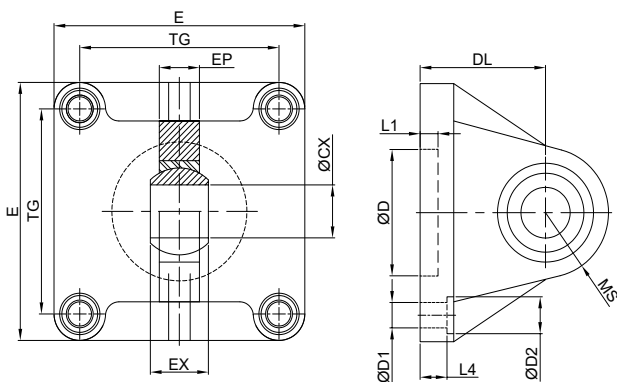
材质: ADC12 铝压铸

Note: With 2 bushes are available

可选择装 2 个含油轴承

Ø[MM]	32	40	50	63	80	100	125	160	200
BR	10	11	13	15	15	19	22	31	31
BT	8	10	12	14	14	17	20	25	30
CK(Ø)	10	12	12	16	16	20	25	30	30
EM	26	28	32	40	50	60	70	90	90
GL	21	24	33	37	47	55	70	97	105
HB(Ø)	6.6	6.6	9	9	11	11	14	14	18
L2	1.6	1.6	1.6	1.6	2.5	2.5	3	4	4
PH	32	36	45	50	63	71	90	115	135
RA	18	22	30	35	40	50	60	88	90
TE	38	41	50	52	66	76	94	118	122
UL	51	54	65	67	86	96	124	156	162
UR	31	35	45	50	60	70	90	126	130
EA	10	15	16	16	20	20	30	36	40

SNCS 32-200 Male Hinge With Ball Joint 关节单耳



Material: ADC12 Die Casting

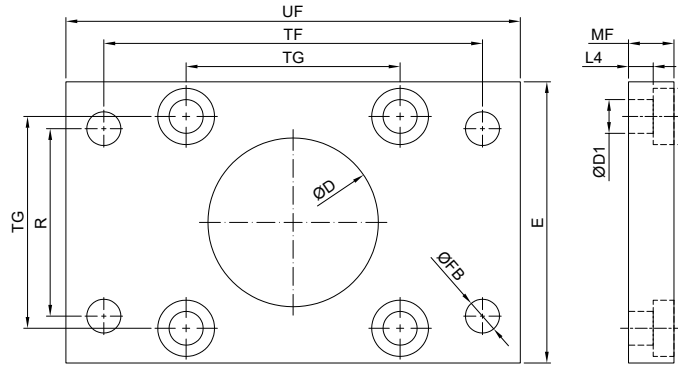
材质: ADC12 铝压铸

Ø[MM]	32	40	50	63	80	100	125	160	200
CX(Ø)	10	12	16	16	20	20	30	35	35
D(Ø)	30	35	40	45	45	55	62	65	75
D1(Ø)	6.5	6.5	9	9	11	11	13	18	18
D2(Ø)	10.5	10.5	15	15	18	18	20	26	26
DL	22	25	27	32	36	41	50	55	60
E	45	52	65	75	95	115	140	180	220
EP	10.5	12	15	15	18	18	25	28	28
EX	14	16	21	21	25	25	37	43	43
L1	5	5	5	5	5	5	7	7	8
L4	5.5	5.5	6.5	6.5	10	10	10	10	11
MS	16	18	21	23	28	30	40	45	48
TG	32.5	38	46.5	56.5	72	89	110	140	175

DNG 32-200 FA/FB Flange 法兰板

Material: ADC12 Die Casting

材质: ADC12 铝压铸

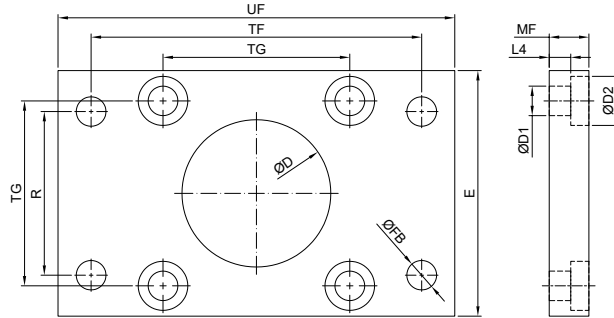


Ø[MM]	32	40	50	63	80	100	125	160	200
D(Ø)	30	35	40	45	45	55	60	65	75
D1(Ø)	6.5	6.5	9	9	11	11	13	17	17
D2(Ø)	10.5	11	15	15	18	18	19	25	25
E	45	52	65	75	95	115	140	180	220
FB(Ø)	7	9	9	9	12	14	16	18	22
L4	5	5	6.5	6.5	9	9	10.5	9.5	12.5
MF	10	10	12	12	16	16	20	20	25
R	32	36	45	50	63	75	90	115	135
TF	64	72	90	100	126	150	180	230	270
TG	32.5	38	46.5	56.5	72	89	110	140	175
UF	80	90	110	120	150	170	205	260	300

DNG 32-320 FA/FB Flange 法兰板

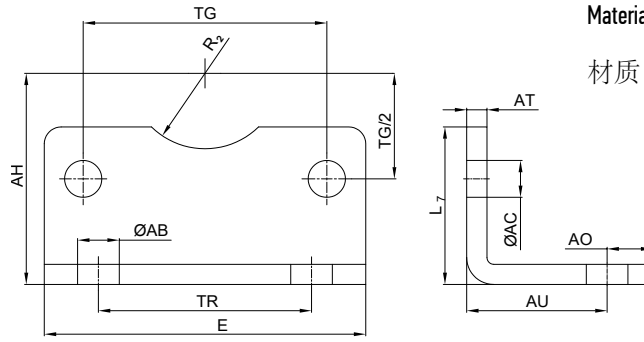
Material: Steel with Zinc Plating

材质: 45号钢镀锌



Ø[MM]	32	40	50	63	80	100	125	160	200	250	320
D(Ø)	30	35	40	45	45	55	60	65	75	90	110
D1(Ø)	6.5	6.5	9	9	11	11	13	17	17	21	25
D2(Ø)	10.5	11	15	15	18	18	19	25	25	31	37
E	45	52	65	75	95	115	140	180	220	270	340
FB(Ø)	7	9	9	9	12	14	16	18	22	26	33
L4	5	5	6.5	6.5	8	8	10.5	9.5	12.5	10.5	15
MF	10	10	12	12	16	16	20	20	25	25	30
R	32	36	45	50	63	75	90	115	135	165	200
TF	64	72	90	100	126	150	180	230	270	330	400
TG	32.5	38	46.5	56.5	72	89	110	140	175	220	270
UF	80	90	110	120	150	170	220	280	320	390	470

DNG 32-100 LB Foot Mounting 脚架

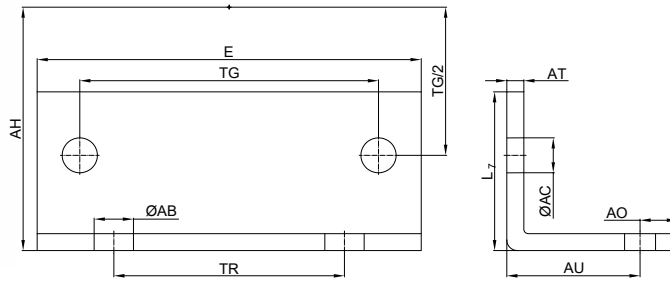


Material: Steel with Zinc Plating

材质: A3 钢镀锌

Φ[MM]	TG	TR	TG/2	ØAB	AH	E	AT	L7	ØAC	AO	AU	R2
32	32.5	32	16.25	7	32	45	4	30	7	11	24	15
40	38	36	19	10	36	52	4	30	7	8	28	17.5
50	46.5	45	23.25	10	45	65	5	36	9	15	32	20
63	56.5	50	28.25	10	50	75	5	35	9	13	32	22.5
80	72	63	36	12	63	95	6	47	11	14	41	22.5
100	89	75	44.5	14.5	71	115	6	53	11	16	41	27.5

DNG 125-200 LB Foot Mounting 脚架

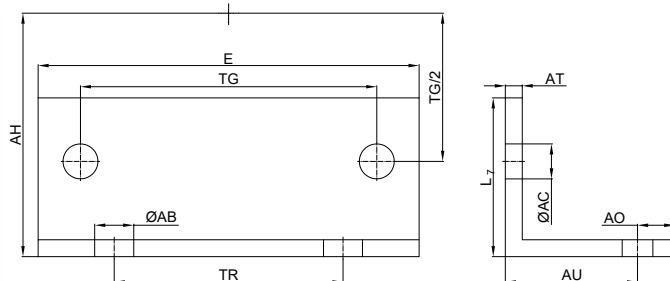


Material: Steel with Zinc Plating

材质: A3 钢镀锌

Φ[MM]	TG	ØAB	TR	E	AT	ØAC	L7	AU	AO	AH	TG/2
125	110	16	90	140	8	12.5	55	45	20	90	55
160	140	18	115	180	8	16.5	75	60	20	115	70
200	175	22	135	220	9	16.5	90	70	30	135	87.5

DNG 250-320 LB Foot Mounting 脚架



Material: Steel with Zinc Plating

材质: 45# 钢镀锌

Φ[MM]	TG	ØAB	TR	E	AT	ØAC	L7	AU	AO	AH	TG/2
250	220	28	165	270	20	21	110	75	35	165	110
320	270	35	200	350	23	24.5	100	85	40	185	135



CYLINDER
COVERS
MOUNTING
PARTS

PART

2

ISO21287 Series

主要产品

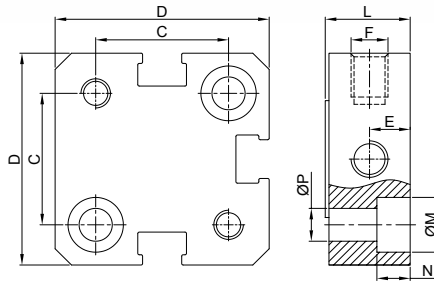
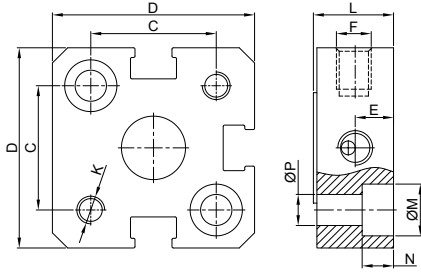
气缸端盖
气缸附件

ADN 12-25 Cylinder Cover 气缸端盖



Material: 6061-T6

材质: 铝型材



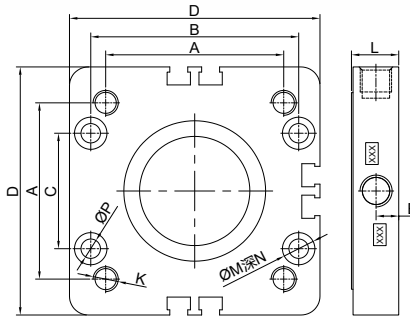
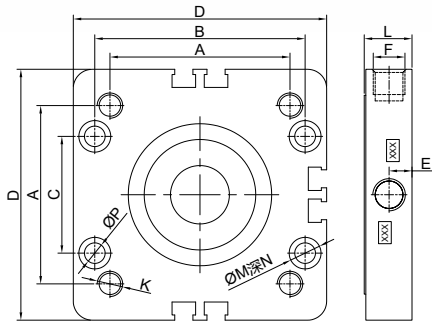
Ø[MM]	C	D	E	F	K	L	ØM	N	ØP
12	16	27.5	5	M5	2-M4	11.5	2-Ø7.5	4.5	2-Ø4.5
16	18	29	5.5	M5	2-M4	11.5	2-Ø7.5	4.5	2-Ø4.5
20	22	35.5	6	M5	2-M5	12.5	2-Ø9	5.5	2-Ø5.5
25	26	39.5	6	M5	2-M5	13.5	2-Ø9	5.5	2-Ø5.5

ADN 32-100 Cylinder Cover 气缸端盖



Material: ADC12 Die Casting

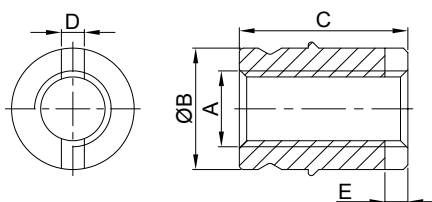
材质: ADC12 铝压铸



Ø[MM]	A	B	C	D	E	F	K	L	ØM	N	ØP
32	32.5	38	17	47.5	7.8	G 1/8	4-M6	15.5	4-Ø7.5	4.5	4-Ø4.5
40	38	45	21	56.5	7.2	G 1/8	4-M6	15.25	4-Ø9	5.5	4-Ø5.5
50	46.5	54	27	66.5	7.2	G 1/8	4-M8	15.25	4-Ø10.3	6.5	4-Ø6.2
63	56.5	66	37	79.5	7.2	G 1/8	4-M8	15	4-Ø10.3	6.5	4-Ø6.5
80	72	84	47	100	8.5	G 1/8	4-M10	16.5	4-Ø13.3	8.5	4-Ø8.5
100	89	101	60	120	10	G 1/4	4-M10	20.5	4-Ø16.2	10.5	4-Ø10.5

ADN 12-25 Cylinder Piston

气缸活塞



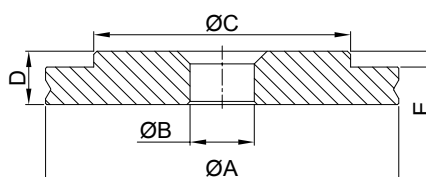
Material: 12-25 6061-T6

材质: 铝型材

Ø[MM]	A	ØB	C	D	E
12	M4	6	8	1.5	1.5
16	M5	8	11	1.5	1.5
20	M6	10	13	1.5	1.5
25	M6	10	13	1.5	1.5

ADN 32-100 Cylinder Piston

气缸活塞



Material: 32-100 ADC12 Die Casting

材质: ADC12 铝压铸

Ø[MM]	ØA	B	C	D	E
32	26	8	16	5.4	2.5
40	34	8	20	6	2.5
50	43	10	22	6	2.5
63	55	10	40	8.4	2.5
80	72	14	58	9.4	2.5
100	90	14	77	10.9	2.5



CYLINDER
COVERS
MOUNTING
PARTS

PART

3

ISO6430 Series

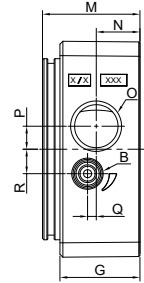
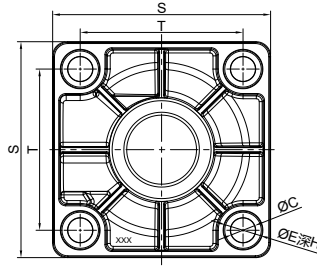
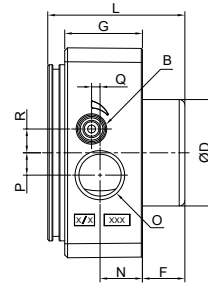
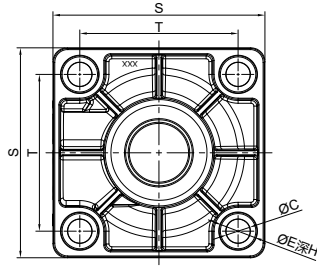
主要产品

气缸端盖
气缸附件

NSC 32-250 Cylinder Cover

气缸端盖

ISO6430 Series



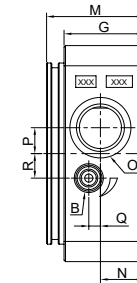
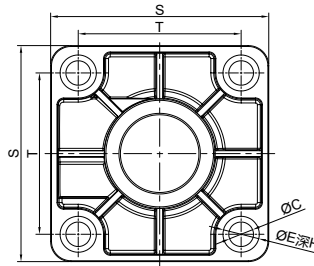
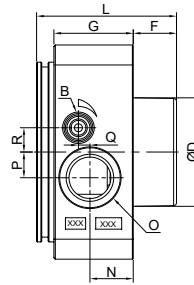
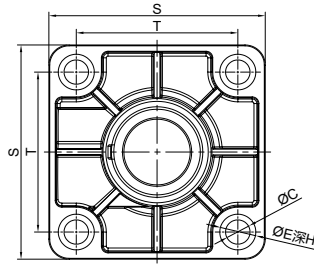
Material: ADC12 Die Casting

材质: ADC12 铝压铸

Ø[MM]	S	T	C	E	H	L	N	F	P	R	O	Q	ØD	M	G	B
32	45	33	6.5	9.5	22.5	48.5	13	15	4	6.5	G 1/8	6.5	28	33.5	27.5	M6*0.75
40	50	37	6.5	9.5	22.5	48.5	14	15	6	8.8	G 1/4	5	32	33.5	27.5	M6*0.75
50	62	47	6.5	9.5	22.5	48.5	15	15	7	10	G 1/4	4	38	33.5	27.5	M6*0.75
63	75	56	8.5	12.5	22.5	48.5	15	15	8	8.5	G 3/8	3	38	33.5	27.5	M6*0.75
80	94	70	10.5	15.5	25.5	60	17	21	10	14	G 3/8	7	47	39	33	M6*0.75
100	112	84	10.5	15.5	25.5	60	17	21	11	14	G 1/2	6.5	47	39	33	M6*0.75
125	136	104	12.3	20.6	30.5	65.5	20	20	14	14	G 1/2	6.5	52	45.5	38	M10*1
160	174	134	16.5	25	30.5	73	20	25	15	15	G 3/4	5	62	48	38	M10*1
200	214	163	16.5	25	30.5	78	20	30	15	15	G 3/4	3	62	48	38	M10*1
250	267	202	21	33	38	95	25.5	35	22	22	G 1	8.5	86	60	48	M14*1.5

Website: www.bangye-auto.com

SCE 32-100 Cylinder Cover 气缸端盖

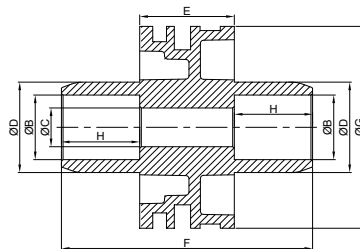


Material: ADC12 Die Casting

材质: ADC12 铝压铸

Ø[MM]	S	T	C	E	H	L	N	F	P	R	O	Q	ØD	M	G	B
32	45	33	6.5	9.5	22.5	48.5	12.8	15	4	6.5	G 1/8	8	28	33.5	27.5	M6*0.75
40	50	37	6.5	9.5	22.5	48.5	14.5	15	6	8.5	G 1/4	5	32	33.5	27.5	M6*0.75
50	62	47	6.5	9.5	22.5	48.5	15	15	8	9	G 1/4	4	38	33.5	27.5	M6*0.75
63	75	56	8.5	12.5	22.5	48.5	15	15	9	8.5	G 3/8	4	38	33.5	27.5	M6*0.75
80	94	70	10.5	15.5	25.5	60	17	21	10	14	G 3/8	7	47	39	33	M6*0.75
100	112	84	10.5	15.5	25.5	60	17	21	11	14	G 1/2	7	47	39	33	M6*0.75

NSC/SCE 32-100 Cylinder Piston 气缸活塞

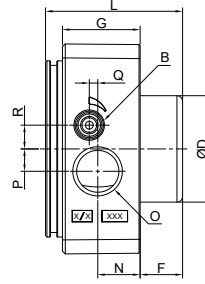
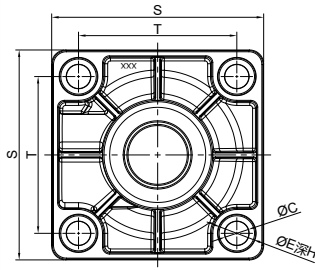


Material: ADC12 Die Casting

材质: ADC12 铝压铸

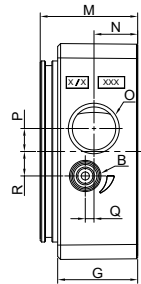
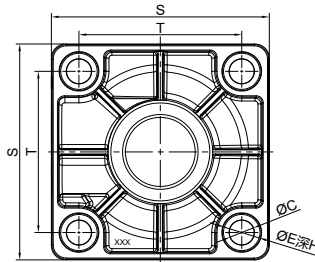
Ø[MM]	ØD	ØB	ØC	E	F	ØG
32	16	12	8	26	66	31.5
40	20	16	10	26	72	39.5
50	28	20	12	26	74	49.5
63	28	20	12	29	77	62.5
80	35	25	16	30	90	79.5
100	35	25	16	36	96	99.5

SC 300 Cylinder Cover
气缸端盖



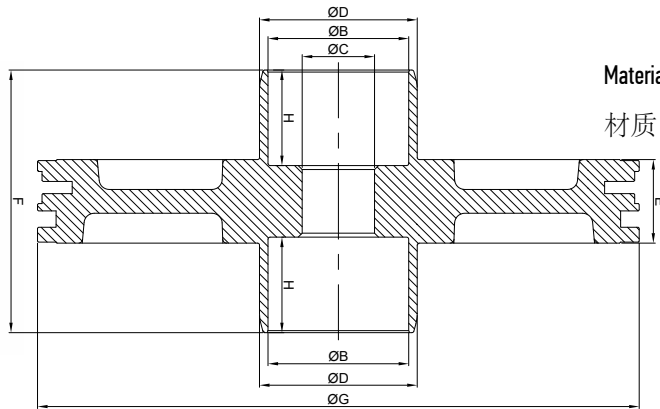
Material: A356 Alu Low pressure Casting

材质: A356 低压铸造



Φ[MM]	S	T	C	E	H	L	N	F	P	R	O	Q	ØD	M	G	B
300	330	270	31	43	36	121	24	60	25	25	G1	0	96	61	49	M14*1.5

SC 125-300 Cylinder Piston
气缸活塞

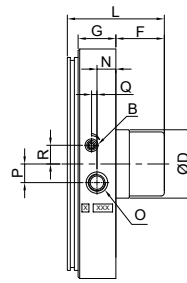
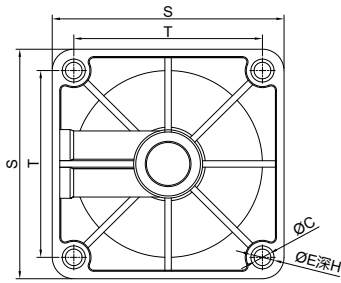


Material: ADC12 Die Casting

材质: ADC12 铝压铸

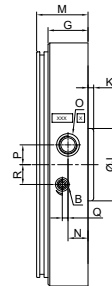
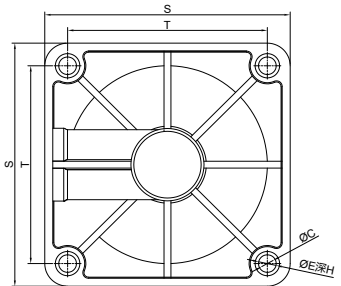
Φ[MM]	ØD	ØB	ØC	E	F	ØG	H
125	40	32	20	24	84	124.5	32
160	50	40	24	30	94	159.5	36
200	50	40	24	30	100	199.5	37
250	57	50	30	33	113	249.5	42
300	78.5	70	36	42	132	299.5	48

SC 400 Cylinder Cover 气缸端盖



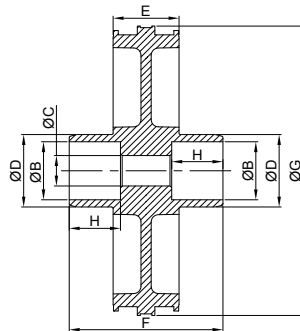
Material: A356 Alu Low pressure Casting

材质: A356 低压铸造



Φ[MM]	S	T	C	E	H	L	N	F	P	R	O	Q	ØD	M	G	B	K	ØJ
400	430	350	31	43	45	180	35	90	35	35	G 1	10	128	100	70	M14*1.5	10	128

SC 400 Cylinder Piston 气缸活塞



Material: A356 Alu Low pressure Casting

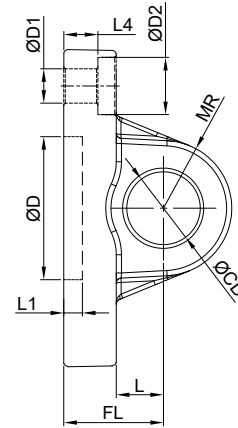
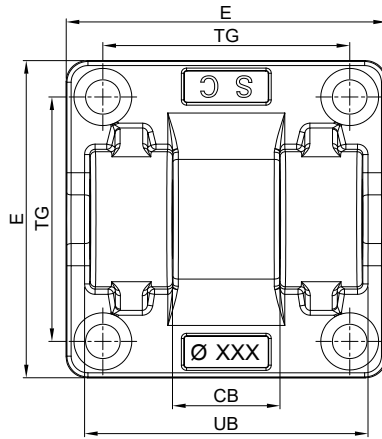
材质: A356 低压铸造

Φ[MM]	ØD	ØB	ØC	E	F	ØG	H
400	99	80	42	90	210	399.2	70

NSC 32-100 CB Female Clevis 双耳座

Material: ADC12 Die Casting

材质: ADC12 铝压铸



Φ[MM]	TG	E	CB	UB	L	L4	ØD1	ØD2	ØD	ØCD	L1	FL	MR
32	33	45	16.3	32	10	5.5	6.6	10.5	29	12	4.5	19	11.5
40	37	49.5	20.3	44	10	5.5	6.6	10.5	33	14	4.5	19	12.5
50	47	61	20.3	52	9	6.5	6.6	11	39	14	4.2	19	13
63	56	74	20.3	52	9	6.5	9	15	39	14	4.2	19	13
80	80	93	32.3	64	18	10	11	18	48	20	4.5	32	17.5
100	84	111	32.3	64	18	10	11	18	48	20	4.5	32	18

NSC 125-250 CB Female Clevis 双耳座

Material:

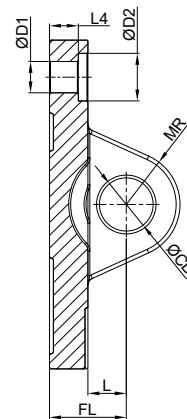
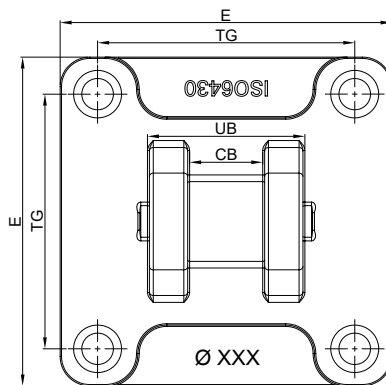
125-200 CB: ADC12 Die Casting

250 CB: A356 Alu Low pressure Casting

材质:

125-200 CB: ADC12 铝压铸

250 CB: A356 铝 低压铸造

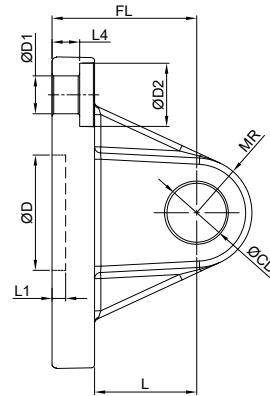
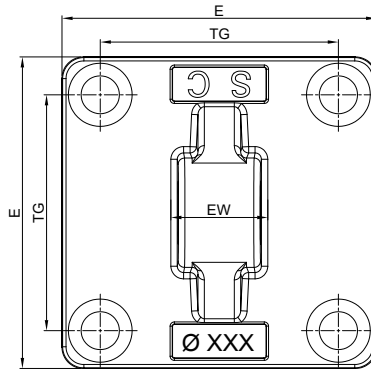


Φ[MM]	TG	E	CB	UB	L	L4	ØD1	ØD2	ØCD	FL	MR
125	104	135	32	64	14	13	12.5	20.6	20.5	32	20
160	134	173	40	80	20	15	16.5	25	28	40	30
200	163	213	40	80	37	18	16.5	25	28	60	30
250	202	266	50	100	46	19	21	33	36	70	36

NSC 32-100 CA Male Clevis 单耳座

Material: ADC12 Die Casting

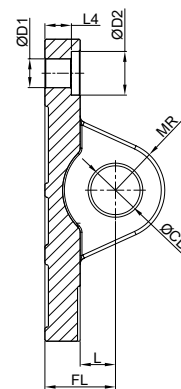
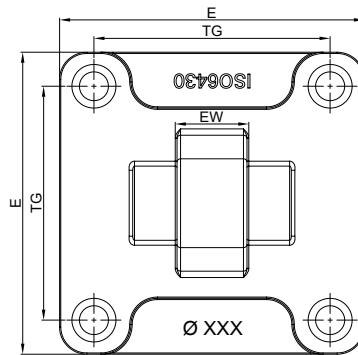
材质: ADC12 铝压铸



Φ[MM]	TG	E	EW	L	L4	ØD1	ØD2	ØD	ØCD	L1	FL	MR
32	33	45	16	25	5.5	6.6	10.5	29	12	4.5	34	11.5
40	37	49.5	20	25	5.5	6.6	10.5	33	14	4.5	34	12.5
50	47	61	20	24	6.5	6.6	11	39	14	4.5	34	13
63	56	74	19.8	24	6.5	9	15	39	14	4.5	34	13
80	70	93	31.8	34	10	11	18	48	20	4.5	48	17.5
100	84	111	31.8	34	10	11	18	48	20	4.5	48	18

NSC 125-250 CA Male Clevis 单耳座

 Material: 125-200 CA: ADC12 Die Casting
 250 CA: A356 Low pressure Casting

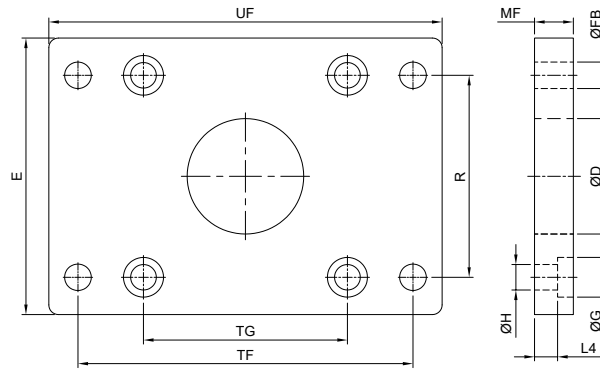
 材质: 125-200 CA: ADC12 铝压铸
 250 CA: A356 铝 低压铸造


Φ[MM]	TG	E	EW	L	L4	ØD1	ØD2	ØCD	FL	MR
125	104	135	32	14	13	12.5	20.5	20	32	20
160	134	173	40	20	15	16.5	25	28	40	28
200	163	213	40	37	18	16.5	25	28	60	30
250	202	266	50	46	19	21	33	36	70	36

SC 32-250 FA/FB Flange 法兰板

Material: Casting Steel

材质: 铸铁

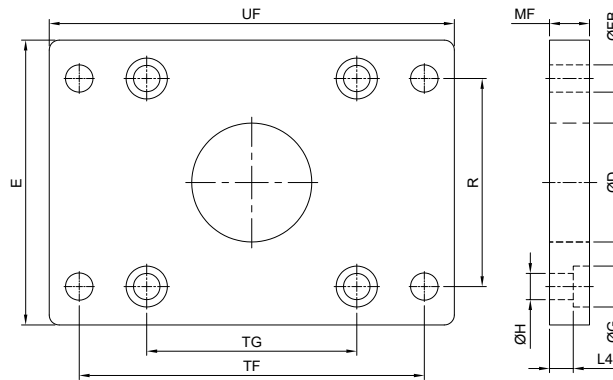


Φ[MM]	R	E	TG	TF	UF	ØFB	ØG	ØH	L4	MF	ØD
32	33	47	33	58	72	7	10.5	6.5	3.5	10	29
40	36	53	37	70	84	7	10.5	6.5	3.5	10	33
50	47	65	47	86	104	9	10.5	6.5	3.5	10	39
63	56	75	56	98	116	9	13.5	8.5	2.5	11	39
80	70	95	70	119	143	11	16.5	10.5	5.5	16	48
100	84	115	84	138	162	11	16.5	10.5	5.5	16	48
125	104	135	104	168	196	14	19	13	7	20	53
160	134	173	134	212	248	18	25	17	10.5	20	63
200	163	213	163	250	286	18	25	17	15.5	25	63
250	201	255	202	312	356	22	31	21	13	25	87

SC 32-200 FA/FB Flange 法兰板

Material: ADC12 Die Casting

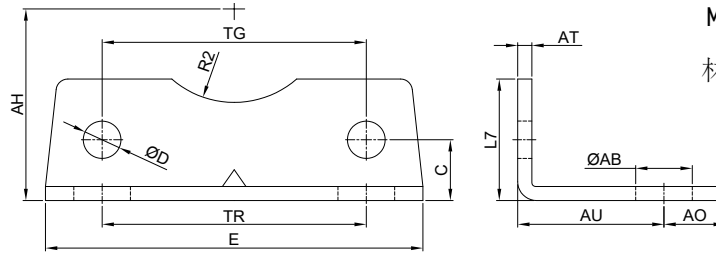
材质: ADC12 铝压铸



Φ[MM]	R	E	TG	TF	UF	ØFB	ØG	ØH	L4	MF	ØD
32	33	47	33	58	72	7	10.5	6.5	5.5	10	29.1
40	36	52	37	70	84	7	10.5	6.5	5.5	10	33.1
50	47	65	47	86	104	9	10.5	6.5	5.5	10	39.1
63	56	75	56	98	116	9	13.5	8.5	6.5	12	38.4
80	70	95	70	119	143	11	16.5	10.5	9	16	48
100	84	115	84	138	162	11	16.5	10.5	9	16	48
125	104	135	104	168	196	14	19	13	12	20	53
160	134	173	134	212	248	18	25	17	10.5	20	63
200	163	213	163	250	286	18	25	17	15.5	25	63

SC32-100 LB Foot Mounting

脚架



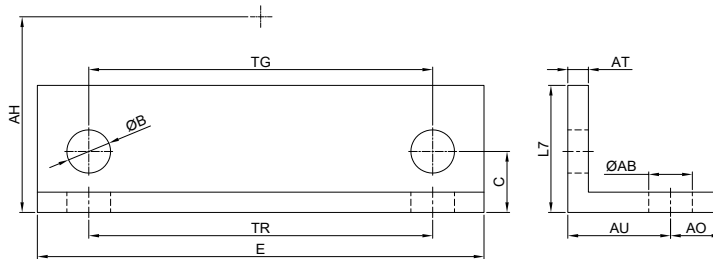
Material: Steel with Zinc Plating

材质: A3 钢

Φ[MM]	TR	AH	C	ØD	TG	E	AT	L7	ØAB	A0	AU	R2
32	33	28	13	7	33	50	3.2	20	9	9.5	20.5	15
40	36	30	12.5	7	37	57	3.2	21	12	14.5	23.5	17
50	47	36.5	13.5	7	47	68	3	23	12	12	28	20
63	56	41	14	9	56	80	3	26	12	13	31	20
80	70	49	16	11	70	97	4	30	14	16	30	25
100	84	72	16.5	14	84	112	4	30	14	18	30	25

SC125-200 LB Foot Mounting

脚架



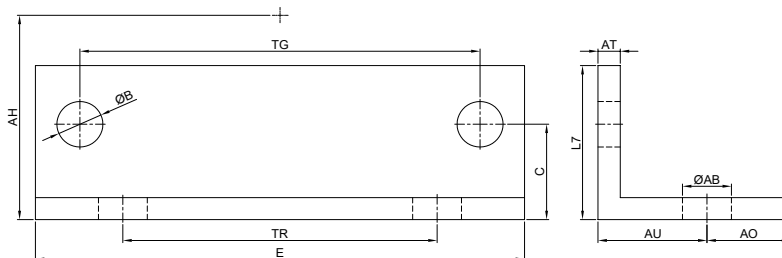
Material: Steel with Zinc Plating

材质: A3 钢

Φ[MM]	TR	ØB	C	TG	E	AT	L7	ØAB	AU	A0	AH
125	104	13	18	104	136	6	40	17	35	18	70
160	134	17	24	134	174	8	50	17	40	20	91
200	163	17	32	163	214	9	60	22	50	25	113.5

SC250-400 LB Foot Mounting

脚架



Material: Steel with Zinc Plating

材质: A3 钢

Φ[MM]	TR	ØB	C	TG	E	AT	L7	ØAB	AU	A0	AH
250	201	21	40	202	267	15	70	26	60	25	161
300	212	31	65	270	330	15	105	33	90	40	200
400	350	31	110	350	430	20	150	33	115	40	285



CYLINDER
COVERS
MOUNTING
PARTS

PART

4

JIS Series

主要产品

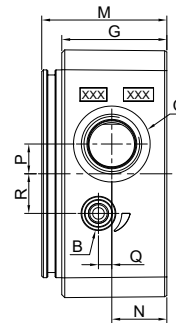
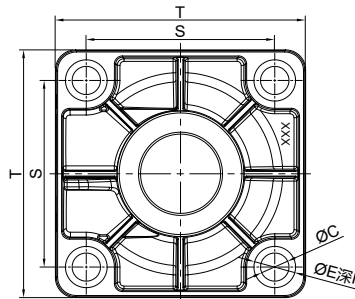
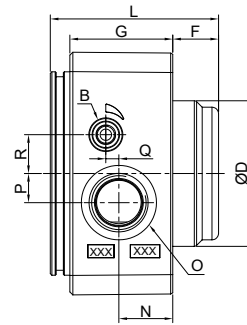
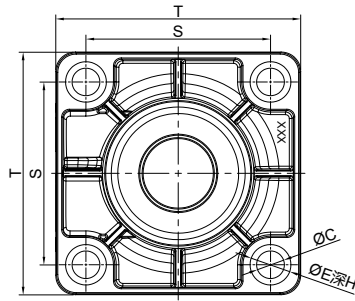
气缸端盖
气缸附件

MB 32-200 Cylinder Cover
气缸端盖

Material: ADC12 Die Casting

材质: ADC12 铝压铸

JIS Series

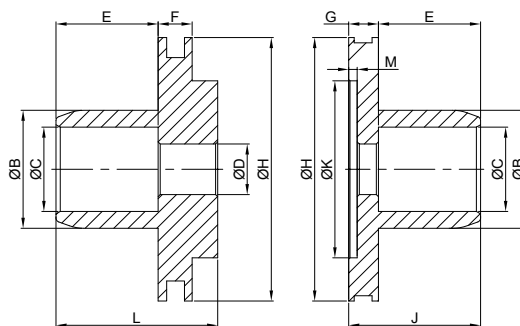


Φ[MM]	S	T	C	E	H	L	N	F	P	R	O	Q	ØD	M	G	B
32	32.5	46	6.5	9.2	22.5	46	12	13	4	6.5	G 1/8	5.5	29.5	33	27	M6*0.75
40	38	52	6.5	9.2	22.5	46	14	13	4	9	G 1/4	5.5	34.5	33	27	M6*0.75
50	46.5	65	8.5	12.5	22.5	51.5	15.5	14	5	10.5	G 1/4	6.7	39.5	37.5	31.5	M6*0.75
63	56.5	75	8.5	12.5	22.5	51.5	16.5	14	9	12	G 3/8	4	45	37.5	31.5	M6*0.75
80	72	95	10.7	15.5	25.5	64	19	20	11.5	14	G 3/8	7	44	44	38	M6*0.75
100	89	114	10.5	15.5	25.5	64	19	20	17	15	G 1/2	7	56	44	38	M6*0.75
125	110	140	13	19	26	72	22	24.5	14	14	G 1/2	6	61	47.5	40	M10*1
160	140	180	16.5	25	36	100	26	38	20	20	G 3/4	10	66	62	50	M10*1
200	175	220	16.5	25	36	100	26	38	20	20	G 3/4	12	76	62	50	M10*1

MB 32-100 Cylinder Piston 气缸活塞

Material: ADC12 Die Casting

材质: ADC12 铝压铸

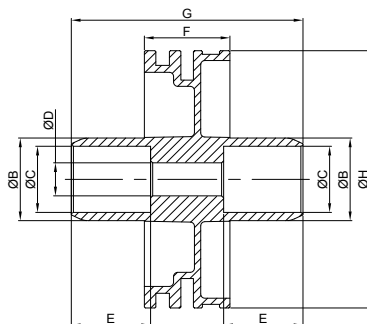


Φ[MM]	ØB	ØC	ØD	E	F	G	ØH	J	ØK	L	M
32	16	12	8	20	7	7	31.5	27	21	32.5	1.5
40	20	16	10	20	7	7	39.5	27	24	33	2
50	28	20	12	24	8	7	49.5	31	32	37.5	1.5
63	28	20	12	24	8	7	62.5	31	42	38	2
80	35	25	16	30	11	11	79.5	41	58	47	2
100	35	25	16	32	11	11	99.5	43	78	48.5	1.5

MB 125-200 Cylinder Piston 气缸活塞

Material: ADC12 Die Casting

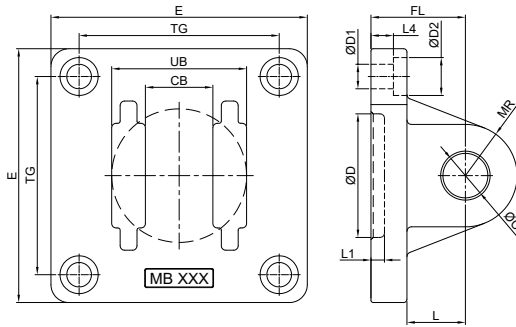
材质: ADC12 铝压铸



Φ[MM]	ØB	ØC	ØD	E	F	G	ØH
125	40	32	16	38	41	111	124.5
160	50	40	16.5	36	50	122	159.5
200	50	40	16.5	46	50	122	199.5

MB 32-200 CB Female Clevis

双耳座



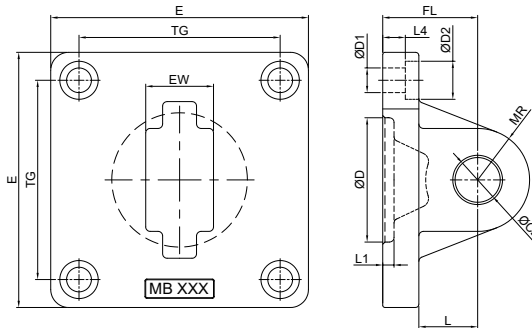
Material: ADC12 Die Casting

材质: ADC12 铝压铸

Φ[MM]	E	TG	UB	CB	L	L4	ØD2	ØD1	ØD	ØCD	FL	L1	MR
32	46	32.5	28	14	13	6	10.5	6.5	30.5	10	23	4.5	10.5
40	52	38	28	14	13	6	10.5	6.5	35.5	10	23	4.5	11
50	65	46.5	40	20	17	8	14	9	40.5	14	30	4.5	15
63	75	56.5	40	20	17	8	14	9	46.5	14	30	4.5	15
80	95	72	60	30	26	11	17	11	50.5	22	42	4.5	23
100	114	89	60	30	26	11	17	11	55.5	22	42	4.5	23
125	140	110	130	70	30	10	20	14	60	25	50	7	25
160	180	140	169	90	35	10	26	18	65	30	55	8	25
200	220	175	169	90	35	11	26	18	75	30	60	10	25

MB 32-200 CA Male Clevis

单耳座



Material: ADC12 Die Casting

材质: ADC12 铝压铸

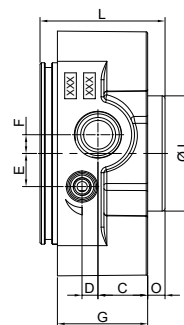
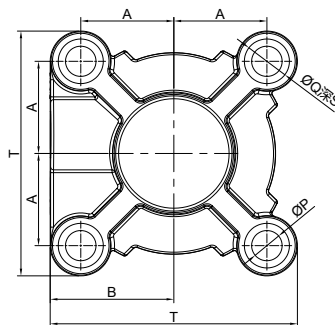
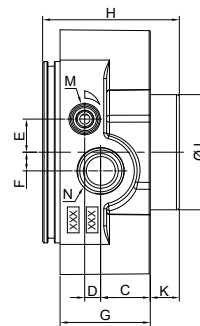
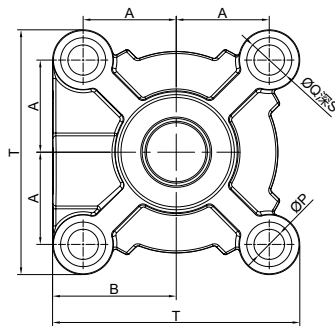
Φ[MM]	E	TG	EW	L	L4	ØD2	ØD1	ØD	ØCD	FL	L1	MR
32	46	32.5	14	13	6	10.5	6.5	30.5	10	23	4.5	10.5
40	52	38	14	13	6	10.5	6.5	35.5	10	23	4.5	11
50	65	46.5	20	17	8	14	9	40.5	14	30	4.5	15
63	75	56.5	20	17	8	14	9	46.5	14	30	4.5	15
80	95	72	30	26	10	17	11	50.5	22	42	4.5	23
100	114	89	30	26	11	17	11	55.5	22	42	4.5	23
125	140	110	70	30	10	20	14	60	25	50	7	25
160	180	140	90	35	10	26	18	65	30	55	8	25
200	220	175	90	35	11	26	18	75	30	60	10	25

CA2 40-100 Cylinder Cover 气缸端盖

Material: ADC12 Die Casting

材质: ADC12 铝压铸

JIS Series

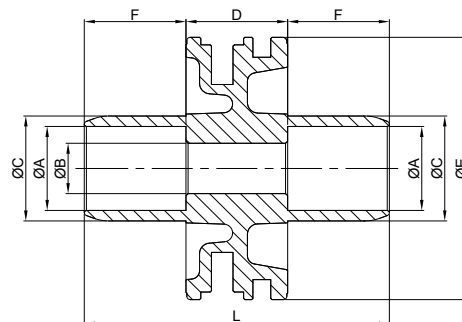


Φ[MM]	A	B	C	D	E	F	G	H	ØJ	K	L	M	N	O	ØP	ØQ	S	T
40	22	30	15	4	9.5	5	27	43	32	10	38	M6*0.75	G 1/4	5	8.5	12.5	22.5	60
50	26	35	17	4.5	9	6.5	30	45.5	40	10	41.5	M6*0.75	G 3/8	6	8.5	12.5	23	70
63	32	42.5	17	5.5	11.5	6.5	31	47	40	10	43	M6*0.75	G 3/8	6	10.5	15.5	25.5	85
80	39	51	21	7	13.5	9	37	57	52	14	50	M6*0.75	G 1/2	7	12.5	18.5	26	102
100	46	58	21	7	13.5	9	40	60	52	14	54	M6*0.75	G 1/2	8	12.5	18.5	26	116

CA2 40-100 Cylinder Piston 气缸活塞

Material: ADC12 Die Casting

材质: ADC12 铝压铸



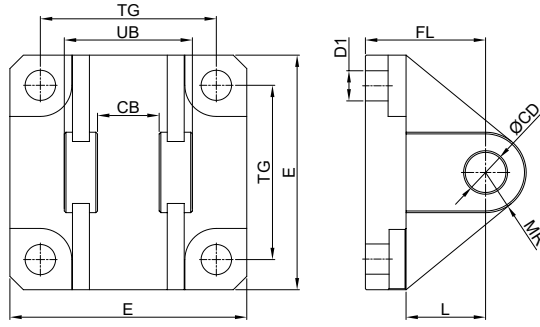
Φ[MM]	ØA	ØB	ØC	D	E	F	L
40	16	10	20	18	39.5	20	58
50	20	12	25	19	49.5	24	67
63	20	12	25	24	62.5	24	72
80	25	16	30	30	79.5	30	90
100	30	16	35	34	99.5	30	94

E-mail: info@bangye-auto.com

CA2 40-100 CB Female Clevis
双耳座

Material: Casting Steel

材质: 铸铁

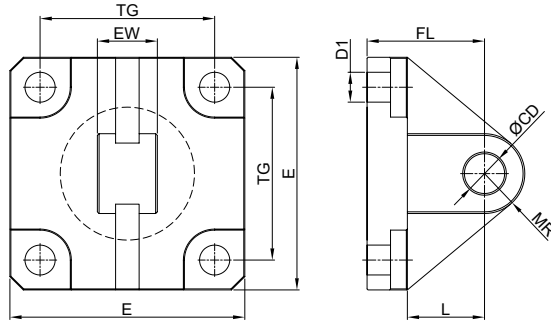


Φ[MM]	E	TG	CD	CB	UB	D1	FL	MR	L
40	60	44	10	15	29.5	M8*1.25	30	10	16
50	70	52	12	18	35	M8*1.25	35	12	19
63	85	64	16	25	49	M10*1.25	40	16	23
80	102	78	20	31.5	61	M12*1.75	48	20	28
100	116	92	25	35.5	64	M12*1.75	58	25	36

CA2 40-100 CA Male Clevis
单耳座

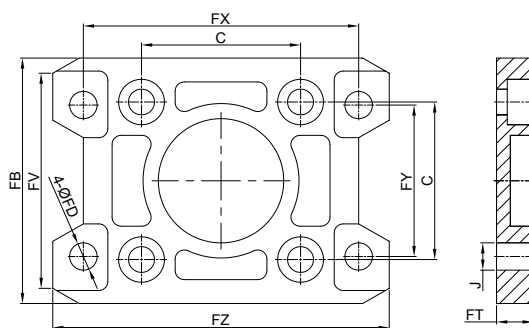
Material: Casting Steel

材质: 铸铁



Φ[MM]	E	TG	CD	EW	D1	FL	MR	L
40	60	44	10	15	M8*1.25	30	10	16
50	70	52	12	18	M8*1.25	35	12	19
63	85	64	16	25	M10*1.25	40	16	23
80	102	78	20	31.5	M12*1.75	48	20	28
100	116	92	25	35.5	M12*1.75	58	25	36

CA2 40-100 FA/FB Flange 法兰板

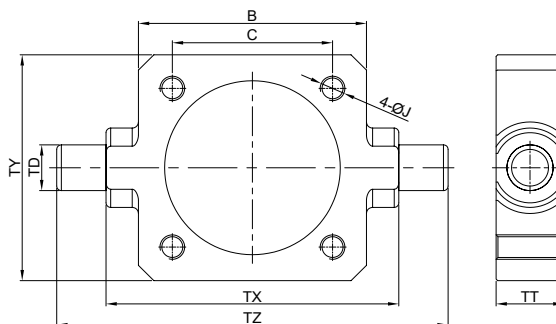


Material: Casting Steel

材质: 铸铁

Φ[MM]	C	FB	FD	J	FT	FV	FX	FY	FZ
40	44	71	9	M8*1.25	12	60	80	42	100
50	52	81	9	M8*1.25	12	70	90	50	110
63	64	101	11.5	M10*1.25	15	86	105	59	130
80	78	119	13.5	M12*1.75	18	102	130	76	160
100	92	133	13.5	M12*1.75	18	116	150	92	180

CA2 40-100 TC Trunnion Flange 中间摆轴



Material: Casting Steel

材质: 铸铁

Φ[MM]	B	C	TD	J	TT	TX	TY	TZ
40	60	44	15	M8*1.25	22	85	62	117
50	70	52	15	M8*1.25	22	95	74	127
63	85	64	18	M10*1.25	28	110	90	148
80	102	78	25	M12*1.75	34	140	110	192
100	116	92	25	M12*1.75	40	162	130	214



CYLINDER COVERS MOUNTING PARTS

PART

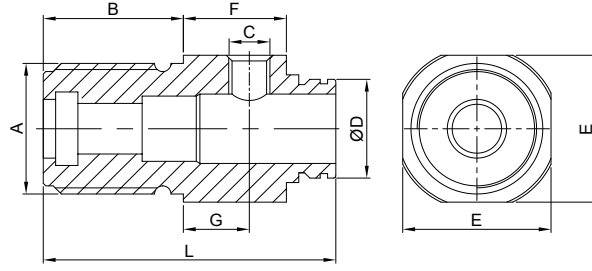
5

ISO6432 Series

主要产品

气缸端盖
气缸附件

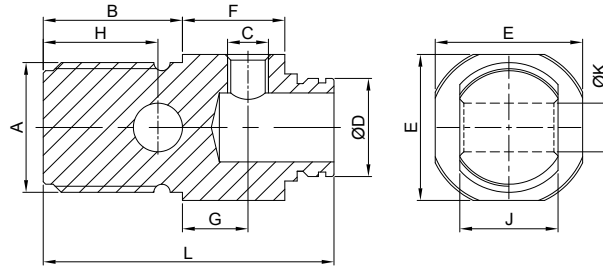
MI 8-25 Cylinder Cover 气缸端盖



Material: 6061-T6

材质: 铝型材

Φ[MM]	ØA	B	C	ØD	E	F	G	L
8	M12*1.25	12	M5	8	15	10	6	26.5
10	M12*1.25	12	M5	10	15	10	6	26.5
12	M16*1.5	17	M5	12	18	12.5	8	35.5
16	M16*1.5	17	M5	16	20	12.5	8	35.5
20	M22*1.5	20	G 1/8	20	24	15	8	41.5
25	M22*1.5	22	G 1/8	25	30	15	8	44.5



Material: 6061-T6

材质: 铝型材

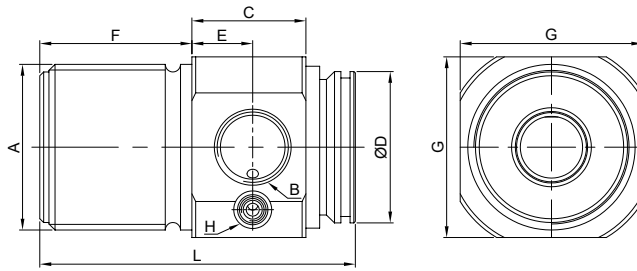
Φ[MM]	ØA	B	C	ØD	E	F	G	H	J	ØK	L
8	M12*1.25	12	M5	8	15	9.5	5	10	8	4	26
10	M12*1.25	12	M5	10	15	9.5	5	10	8	4	26
12	M16*1.5	17	M5	12	18	10.5	6	14	12	6	33.5
16	M16*1.5	17	M5	16	20	10.5	6	13	12	6	33.5
20	M22*1.5	20	G 1/8	20	24	15	8	11	16	8	41.5
25	M22*1.5	22	G 1/8	25	30	15	8	11	16	8	44.5

Note: MI 8-25 Pistons are available

备注: MI 8-25 活塞可订购



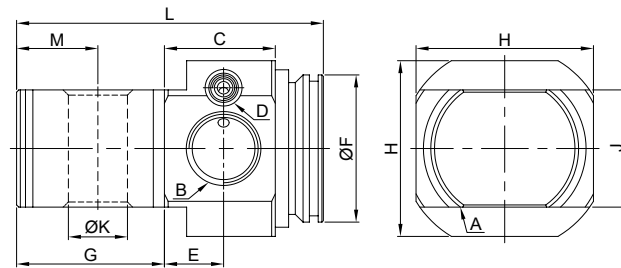
MIC 20-25 Cylinder Cover 气缸端盖



Material: 6061-T6

材质: 铝型材

Φ[MM]	ØA	B	C	ØD	E	F	G	H	L
20	M22*1.5	G 1/8	15	20	8	20	24	M3	41.5
25	M22*1.5	G 1/8	15	25	8	22	30	M3	44.5



Material: 6061-T6

材质: 铝型材

Φ[MM]	A	B	C	D	E	ØF	G	H	J	ØK	L	M
20	M22*1.5	G 1/8	15	M3	8	20	20	24	16	8	41.5	11
25	M22*1.5	G 1/8	15	M3	8	25	22	30	16	8	44.5	11

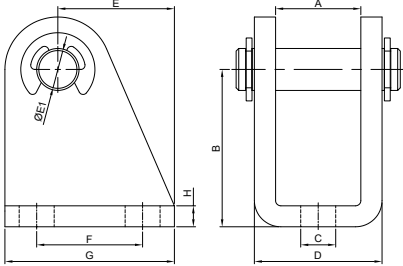


Note: MIC 20-25 Pistons are available

备注: MIC 20-25 活塞可订购

MI/MIC 8-25 SDB Cylinder Mounting

气缸 U 型座



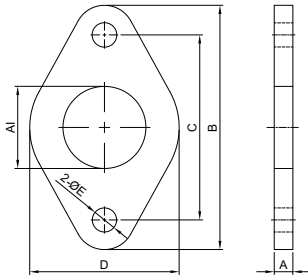
Material: Steel With Zinc Plating

材质: A3 钢镀锌

Ø[MM]	8	10	12	16	20	25
A	8	8	12	12	16	16
B	24	24	27	27	30	30
C	4.5	4.5	5.5	5.5	6.6	6.6
D	13	13	18	18	24	24
E	14	14	13	13	16	16
E1	4	4	6	6	8	8
F	12.5	12.5	15	15	20	20
G	20	20	25	25	32	32
H	2.5	2.5	3	3	4	4

MI/MIC 8-25 FA/FB Flange

法兰板



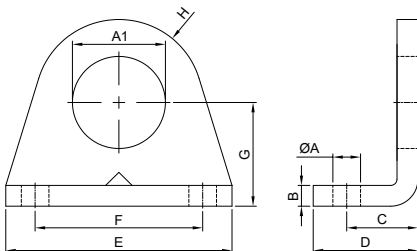
Material: Steel With Zinc Plating

材质: A3 钢镀锌

Ø[MM]	8	10	12	16	20	25
A	3	3	4	4	5	5
A1	12	12	16	16	22	22
B	40	40	53	53	66	66
C	30	30	40	40	50	50
D	25	25	30	30	40	40
E	4.5	4.5	5.5	5.5	6.6	6.6

MI/MIC 8-25 LB Foot Mounting


脚架



Material: Steel With Zinc Plating

材质: A3 钢镀锌

Ø[MM]	8	10	12	16	20	25
A	4.5	4.5	5.5	5.5	6.6	6.6
A1	12	12	16	16	22	22
B	3	3	4	4	5	5
C	11	11	14	14	17	17
D	16	16	20	20	25	25
E	35	35	42	42	54	54
F	25	25	32	32	40	40
G	16	16	20	20	25	25
H	10	10	13	13	20	20



CYLINDER
COVERS
MOUNTING
PARTS

PART

6

MAL Series

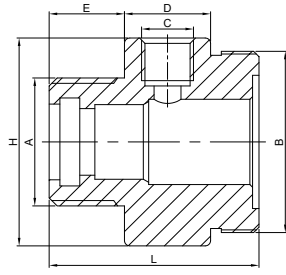
主要产品

气缸端盖
气缸附件

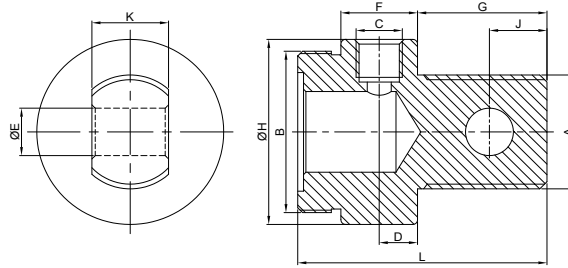
MAL 16-63 Cylinder Cover
气缸端盖

Material: 6061-T6

材质: 铝型材



Φ[MM]	A	B	C	D	E	L	H
16	M16*1.5	M17*0.75	M5	10	16	35.5	23
20	M22*1.5	M22*0.75	G 1/8	16	12	37	29
25	M22*1.5	M27*0.75	G 1/8	16	14	39	34
32	M24*2	M34*1	G 1/8	16	14	39	39
40	M30*2	M42*1	G 1/4	22	14	47	47
50	M36*2	M52*1	G 1/4	22	20	54	59
63	M36*2	M64.5*1.25	G 1/4	23	20	56	72



Material: 6061-T6

材质: 铝型材

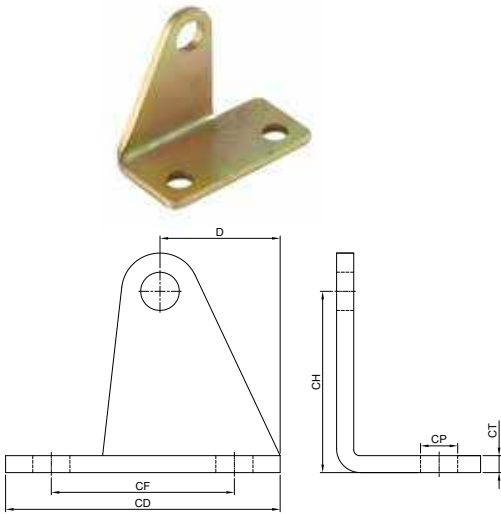
Φ[MM]	A	B	C	D	ØE	F	G	ØH	J	K	L
16	M16*1.5	M17*0.75	M5	5	6	10	16	23	7	12	35.5
20	M22*1.5	M22*0.75	G 1/8	8	8	16	21	29	9	16	46
25	M22*1.5	M27*0.75	G 1/8	8	8	16	21	34	9	16	46
32	M24*2	M34*1	G 1/8	8	10	16	27	39	12	16	52
40	M30*2	M42*1	G 1/4	11	12	22	27	47	12	20	60
50	M36*2	M52*1	G 1/4	11	14	22	27	59	12	20	61
63	M36*2	M64.5*1.25	G 1/4	11.5	12	23	27	72	13	20	63

Note: MAL 16-63 Pistons are available

备注: MAL 16-63 活塞可订购



MAL 16-40 SDB Cylinder Mounting 气缸 U 型座

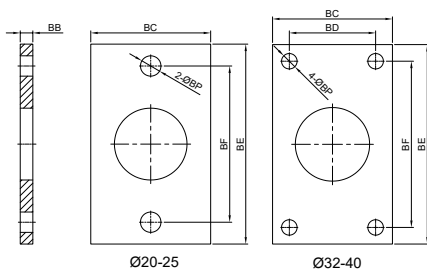


Material: Steel With Zinc Plating

材质: A3 钢镀锌

Φ [MM]	D	CD	CF	CH	CT	CP
16	16	23	12	20	2.5	5.5
20	21	48	32	32	3	6.5
25	21	48	32	32	3	6.5
32	27	52	36	36	4	6.5
40	27	56	40	40	4	6.5

MAL 20-40 FA/FB Flange 法兰板

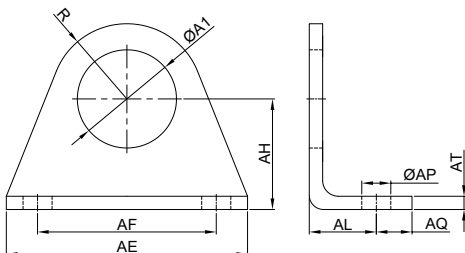


Material: Steel With Zinc Plating

材质: A3 钢镀锌

Φ [MM]	BB	BC	BD	DE	BF	BP
20	4	33	-	64	50	6.5
25	4	33	-	64	50	6.5
32	4	47	33	72	58	6.5
40	4	50	36	84	70	6.5

MAL 16-40 LB Foot Mounting 脚架



Material: Steel With Zinc Plating

材质: A3 钢镀锌

Φ [MM]	ΦA1	AH	AF	AE	ΦAP	AT	R	AQ	AL
16	16.2	20	32	44	5.5	3	13	6	13
20	22.2	25	40	54	6.5	3	17	8	15
32	24.2	32	45	59	6.5	4	19	8	25
40	30.3	36	50	64	6.5	4	23	8	25



CYLINDER COVERS MOUNTING PARTS

PART

7

ROD END ACCESSORIES

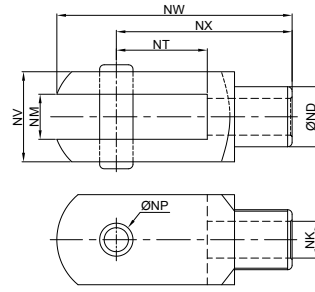
主要产品

气缸端盖
气缸附件

Y Clevis Y 型接头

Material: Steel With Nickel Plating

材质: A3 钢镀镍

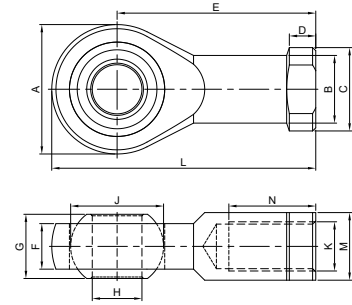


Φ[MM]	NK	NP	NT	NM	NV	NW	NX	ND
12/16	M6*1	6	12	6	12	31	24	10
20	M8*1.25	8	16	8	16	42	32	14
25/32	M10*1.25	10	20	10	20	52	40	18
40	M12*1.25	12	24	12	24	62	48	20
50/63	M16*1.5	16	32	16	32	83	64	26
80/100	M20*1.5	20	40	20	40	105	80	34
125	M27*2	30	55	30	55	148	110	42
160/200	M36*2	35	72	35	70	188	144	60
250	M42*2	40	84	40	85	232	168	70
320	M48*2	50	96	50	90	265	192	80

Rod Eye 鱼眼接头

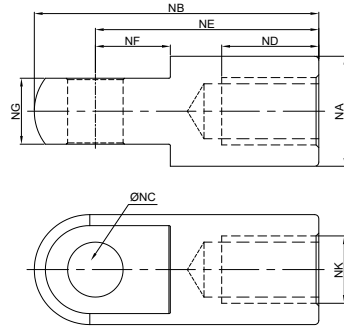
Material: Steel With Nickel Plating

材质: A3 钢镀镍



Φ[MM]	A	B	C	D	E	F	G	H	J	K	L	M	N
4	18	8.8	12	4	27	6	8	5	11.11	M4*0.7	36	9	10
5	18	8.5	12	4	27	6	8	5	11.11	M5*0.8	36	9	10
6	20	10	13	5	30	7	9	6	12.7	M6*1	40	11	12
8	24	12.5	16	5	36	9	12	8	15.875	M8*1.25	48	14	16
10	28	15	19	6.5	43	11	14	10	19.05	M10*1.5	58	17	20
10-1	28	15	19	6.5	43	11	14	10	19.05	M10*1.25	58	17	20
1 2	32	17.5	22	6.5	50	12	16	12	22.225	M12*1.75	66	19	22
12-1	32	17.5	22	6.5	50	12	16	12	22.225	M12*1.25	66	19	22
14	36	20	25	8	57	14	19	14	25.4	M14*2	76	22	25
14-1	36	20	25	8	57	14	19	14	25.4	M14*1.5	76	22	25
16	40	22	27	8	64	15	21	16	28.575	M16*2	85	22	28
16-1	40	22	27	8	64	15	21	16	28.575	M16*1.5	85	22	28
18	46	25	31	10	71	17	23	18	31.75	M18*1.5	94	27	30
20	50	27.5	37	10	77	18	25	20	34.925	M20*1.5	102	30	33
22	54	30	37	12	84	20	28	22	38.1	M22*1.5	112	32	33
25	60	33.5	42	12	94	22	31	25	42.85	M24*2	124	36	36
28	66	37	46	14	103	25	35	28	47.6	M27*2	137	41	51
30	70	40	50	15	110	26	37	30	50.8	M30*2	145	41	51
30-1	70	40	50	15	110	26	37	30	50.8	M27*2	145	41	51
35	80	46	56	17	125	28	43	35	57.1	M36*2	165	50	56
40	102	53	69	19	142	35	49	40	66.6	M42*2	187.5	55	60
50	117	65	75	23	160	45	60	50	82.5	M48*2	218.5	65	65

I Clevis I 型接头

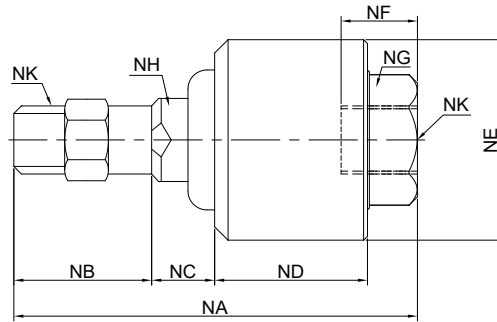


Material: Steel With Nickel Plating

材质: A3 钢镀镍

Φ[MM]	NK	NA	NB	NC	ND	NE	NF	NG
12/16	M6*1	12	31	6	10	24	12	6
20	M8*1.25	16	40	8	15	30	11	8
25/32	M10*1.25	20	52	10	20	40	15	10
40	M12*1.25	24	67	12	20	48	24	12
50/63	M16*1.5	32	89	16	23	64	32	16
80/100	M20*1.5	40	112	20	30	80	40	20
125	M27*2	55	155	30	55	110	50	30

Self-Aligning Rod Coupler 浮动接头



Material: Q235 Steel

材质: 低碳钢

Φ[MM]	NK	NA	NB	NC	ND	NE	NF	NG	NH
12/16	M6*1	35	13	5	12	18	8	10	6
20	M8*1.25	53	20	6	18	24	12	13	8
25/32	M10*1.25	58	22	7	21	26	13	17	10
40	M12*1.25	64	22	8	24	32	15	19	12
50/63	M16*1.5	90	27	12	36	45	23	27	17
80/100	M20*1.5	102	32	13	40	53	28	32	22
125	M27*2	120	37	15	48	60	35	41	26



浙江邦焯自动化科技有限公司
Zhejiang Bangye Automation Technology Co., Ltd.

地址：浙江省嘉兴平湖市曹桥街道景兴一路 689 号

Add: No. 689, Jingxing 1st Road, Caoqiao Street, Pinghu, Jiaxing city,
Zhejiang Province, China

Post Code: 314214

Tel: +86-573-85966868 Fax: +86-573-85963366

E-mail: info@bangye-auto.com

Website: www.bangye-auto.com

